



LLAMBRICHI

Since 1957

Surgical Drill Chucks

Series INOX - Stainless Steel Drill Chucks
for Surgical Instruments

Llambrich® originated from Barcelona, Spain and has been designing, engineering and manufacturing the worlds most complete Stainless Steel Drill Chuck program for use in manual, power & air surgical instruments.



Llambrich® is the only drill chuck manufacturer in the world to hold the ISO 13485 certification for medical drill chuck products.

Our commitment to our customers

To work hard everyday to be regarded in the surgical instrument marketplace as a supplier that is friendly, helpful and easy to do business with.

To offer innovative high quality solutions at a competitive price.

To be receptive and proactive in identifying solutions for our customer needs and requirements.

If you have any ideas, suggestions or comments on how we can better serve you please call +34 93 264 9623 or e-mail us at info@llambrich.com



Testimonials

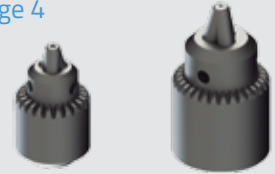
"Llambrich chucks look more medical"
"Great performance in the autoclave test"
"Looks innovative"
"It is nice to have a unique look"

index

CSS Inox

Stainless Steel **Keyed** Drill Chucks

Page 4



SP Inox

Stainless Steel **Keyless** Drill Chucks

Page 5



SPH Inox "Hybrid"

Stainless Steel **"Hybrid"** Drill Chucks

Page 6



SPT Inox

Stainless Steel **Keyless** Drill Chucks **w/Lock System**

Page 7



T-Handle Chucks

Stainless Steel Drill Chucks **w/T-Handle**

Page 8



Drill Chuck Attachments

Stainless Steel Drill Chucks **w/Quick Connectors:**
AO small, AO large, Trinkle, Hudson, Harris,
Zimmer and more

Page 9



Stainless Steel KEYS

Chuck **Keys** for CSS & SPH-Hybrid Stainless Drill Chucks

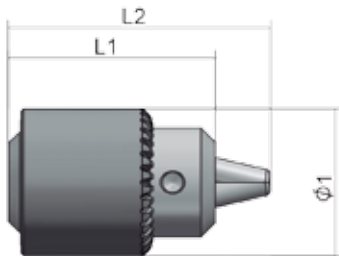
Page 10



CSS Inox

Stainless Steel Keyed Drill Chucks

- The most demanded chuck for medical and veterinary surgery.
- Tightened by key, allowing any rotation direction of the drill or surgical tool: clockwise, counterclockwise or oscillatory.
- All components are free of sharp edges: Excellent choice for use when operating with rubber gloves.
- Manufactured in stainless steel series 300 and 400.
- Undergo passivation processes to prevent corrosion.
- Resistant to autoclaving.
- All chucks are identified with a lot number for traceability according to ISO 13485.
- With thru hole for insertion of drills, reamers, pins and other surgical tools used in the medical field.

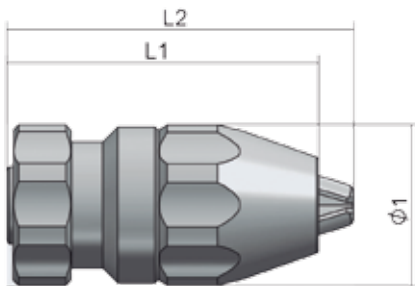


PART #	MODEL #	CAPACITY RANGE MIN-MAX		MOUNT	KEY	Ø THRU HOLE		Ø1		L1		L2		WEIGHT	
		inches	millimeters			in.	mm	in.	mm	in.	mm	in.	mm	lbs	gram
CSS041208	CSS-04 J0 GE	.020 - .156	0.5 - 4	J0	KOM	0.22	5.7	0.87	22	1.10	28	1.38	35	0.11	48
CSS041808	CSS-04 R-5/16 GE			5/16-24						1.18	30	1.46	37		
CSS060410	CSS-06 J1 GE-DS	.020 - .291	0.5 - 7.4	J1	K1M	0.30	7.8	1.10	28	1.57	40	2.00	51	0.24	110
CSS060910	CSS-06 R3/8 GE-DS			3/8-24											
CSS061809	CSS-06 R5/16 GE-DS			5/16-24											
CSS100908	CSS-10 R3/8 GE	.020 - .39	0.6 - 10	3/8-24	K10M	0.30	7.8	1.46	37	2.00	51	2.48	63	0.55	250

SP Inox

Stainless Steel Keyless Drill Chucks

- For hand tightening, no need of key.
- Self-tightening mechanism automatically increases the clamping forces in proportion to the increase in torque during the drilling operation. This prevents tool slippage in clockwise rotation only.
- Specially designed for medical and veterinary surgical instruments.
- All components are free of sharp edges : Excellent choice for use when operating with rubber gloves.
- Manufactured in stainless steel series 300 and 400.
- Undergo passivation processes to prevent corrosion.
- Resistant to autoclaving.
- All chucks are identified with a lot number for traceability according to ISO 13485.
- With thru hole for insertion of drills, reamers, pins and other surgical tools used in the medical field.

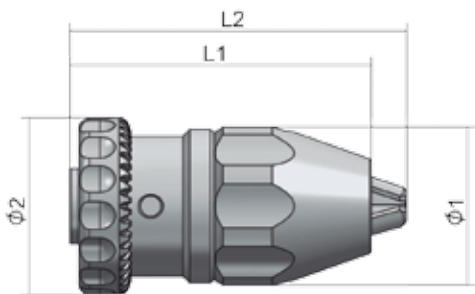


PART #	MODEL #	CAPACITY RANGE MIN-MAX		MOUNT	Ø THRU HOLE		Ø1		L1		L2		WEIGHT	
		inches	milimeters		in.	mm	in.	mm	in.	mm	in.	mm	lbs	gram
PNI011208	SP-15 J0 FGE	.008 - .059	0.2 - 1.5	J0	0.07	1.8	0.79	20	1.42	36	1.46	37	0.11	52
PNI031208	SP-03 J0 FGE	.012 - .125	0.3 - 3	J0	0.12	3.2	1.06	27	1.77	45	1.89	48	0.29	130
PNI030918	SP-03 R3/8 FGE			3/8-24										
PNI031808	SP-03 R5/16 FGE			5/16-24										
PNI070410	SP-07 J1 FGE-C	.012 - .291	0.3 - 7.4	J1	0.20	5.3	1.18	30	2.28	58	2.56	65	0.48	218
PNI070910	SP-07 R3/8 FGE-C			3/8-24					2.20	56	2.48	63		

SPH Inox

Stainless Steel "Hybrid" Drill Chucks

- Combines the accuracy of a keyless chuck and the tightening torque of a keyed chuck:
 - **Used as a Keyless chuck.** Self-tightening mechanism automatically increases the clamping forces in proportion to the increase in torque during the drilling operation. This prevents tool slippage in clockwise rotation only.
 - **Used as a Keyed chuck.** Tightening force is 2 times more than a conventional keyed chuck, allowing the most demanding drilling operation in any rotation direction of the drill or surgical tool: clockwise, counterclockwise or oscillatory
- Specially designed for medical and veterinary surgical instruments
- All components are free of sharp edges : Excellent choice for use when operating with rubber gloves
- Manufactured in stainless steel series 300 and 400
- Undergo passivation processes to prevent corrosion
- Resistant to autoclaving
- All chucks are identified with a lot number for traceability according to ISO 13485
- With thru hole for insertion of drills, reamers, pins and other surgical tools used in the medical field

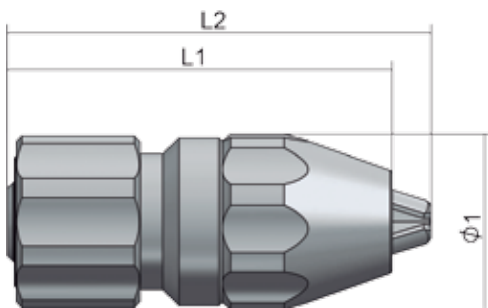


PART #	MODEL #	CAPACITY RANGE		MOUNT	KEY	Ø THRU HOLE		Ø1		L1		L2		Ø2		WEIGHT	
		inches	millimeters			in.	mm	in.	mm	in.	mm	in.	mm	in.	mm	lbs	gram
PHI031208	SPH-03 J0 FGE			J0													
PHI030908	SPH-03 R3/8 FGE	.012 - .125	0.3 - 3	3/8-24	K0T	0.12	3.2	1.06	27	1.85	47	2.00	51	1.14	29	0.29	130
PHI031808	SPH-03 R5/16 FGE			5/16-24													
PHI070410	SPH-07 J1 FGE-C			J1													
PHI070910	SPH-07 R3/8 FGE-C	.012 - .291	0.3 - 7.4	3/8-24	K1T	0.20	5.3	1.26	32	2.28	58	2.56	65	1.34	34	0.50	225

SPT Inox

Stainless Steel Keyless Drill Chucks w/Lock System

- For hand tightening, no need of a key.
- Unique and innovative design equipped with a lock system feature to prevent slippage of surgical tools (drills, reamers, pins) in any rotation direction of the drill or surgical tool: clockwise, counterclockwise or oscillatory.
- Specially designed for medical and veterinary surgical instruments.
- All components are free of sharp edges : Excellent choice for use when operating with rubber gloves.
- Manufactured in stainless steel series 300 and 400.
- Undergo passivation processes to prevent corrosion.
- Resistant to autoclaving.
- All chucks are identified with a lot number for traceability according to ISO 13485.
- With thru hole for insertion of drills, reamers, pins and other surgical tools used in the medical field.

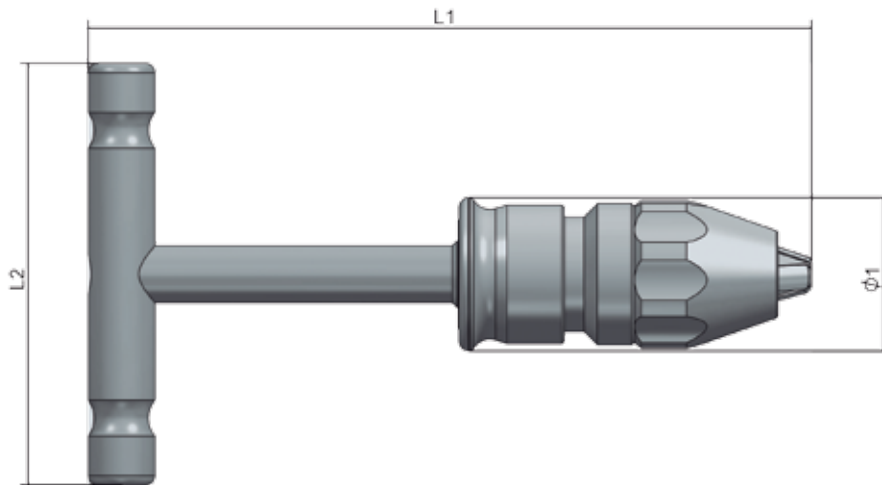


PART #	MODEL #	CAPACITY RANGE MIN-MAX		MOUNT	Ø THRU HOLE		Ø1		L1		L2		WEIGHT	
		inches	millimeters		in.	mm	in.	mm	in.	mm	in.	mm	lbs	gram
PTI070410	SPT-07 J1 FGE	.012 - .291	0.3 - 7.4	J1	0.20	5.3	1.26	32	2.68	68	2.95	75	0.48	220
PTI070910	SPT-07 R3/8 FGE			3/8-24										

T-Handle Chucks

Stainless Steel Drill Chucks w/T-Handle

- For insertion of medical pins (Steinmann, Schanz, etc.)
- Available for all Llambrich stainless steel drill chuck series : Keyed (CSS), Keyless (SP), Hybrid (SPH) & Keyless w/Lock System (SPT).
- Specially designed for medical and veterinary surgery.
- All components are free of sharp edges: Excellent choice for use when operating with rubber gloves.
- Manufactured in stainless steel series 300 and 400.
- Undergo passivation processes to prevent corrosion.
- Resistant to autoclaving.
- All chucks are identified with a lot number for traceability according to ISO 13485.
- With thru hole $\varnothing 5$ mm (0.196 inches) for insertion of surgical pins.



PTI07091T



CSS06091T



PNI0701T



PHI07091T

PART #	MODEL #	CAPACITY RANGE MIN-MAX		KEY	Ø THRU HOLE		Ø1		L1		L2		WEIGHT	
		inches	millimeters		in.	mm	in.	mm	in.	mm	in.	mm	lbs	gram
PTI07091T	SPT-07 R3/8 FGE-T	.012 - .291	0.3 - 7.4	Not required	0.20	5.3	1.26	32	5.94	151	3.46	88	0.81	370
CSS06091T	CSS-06 R3/8 GE-DS-T			K1M			1.10	28	5.04	128			0.57	260
PHI07091T	SPH-07 R3/8 FGE-T			K1T			1.26	32	5.51	140			0.82	372
PNI07091T	SP-07 R3/8 FGE-T			Not required			1.18	30	5.55	141			0.80	364

Drill Chuck Attachments

Stainless Steel Drill Chucks w/Quick Connectors:

AO small, AO large, Trinkle, Hudson, Harris, Zimmer and more

- Available on demand for all Llambrich stainless steel drill chuck series : Keyed (CSS), Keyless (SP), Hybrid (SPH) & Keyless w/Lock System (SPT).
- Quick connectors available: AO, small or large, Trinkle, Hudson, Harris, Zimmer, and others according to customer specifications.
- Specially designed for medical and veterinary surgical power tools.
- All components are free of sharp edges: Excellent choice for use when operating with rubber gloves.
- Manufactured in stainless steel series 300 and 400.
- Undergo passivation processes to prevent corrosion.
- Resistant to autoclaving.
- All chucks are identified with a lot number for traceability according to ISO 13485.
- With thru hole for insertion of drills, reamers, pins and other surgical tools used in the medical field.



Zimmer



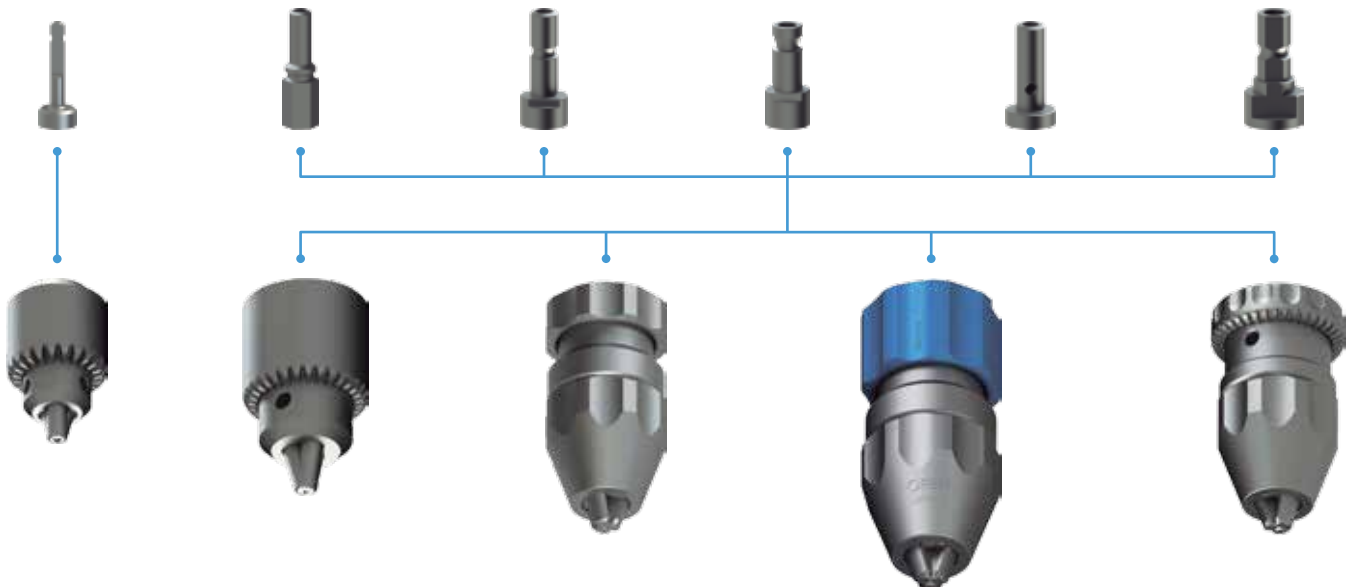
Trinkle



AO large



Hudson

AO smallAO largeHarrisHudsonTrinkleZimmer

Stainless Steel KEYS

Chuck Keys for CSS & SPH-Hybrid Stainless Drill Chucks

- Manufactured in stainless steel series 300 and 400
- Undergo passivation processes to prevent corrosion
- Resistant to autoclaving
- Identified with a lot number for traceability according to ISO 13485

Interchangeable with Jacobs equivalent keys

PART #	MODEL #
ASS041200	K0M
ASS061203	K1M
ASS101200	K10M
ASS031202	K0T Super Grip
ASS061202	K1T Super Grip



K0M



K1M



K10M



K0T



K1T

The world most complete Stainless Steel Drill Chuck Program

LLAMBRICHI
Since 1957

INOX
CSQ
MED
ISO 9001:2008
ISO 13485



For Manual, Power & Air Surgical Instruments



LLAMBRICH

Since 1957

● **LLAMBRICH Precisión, S.L.**

Av. Mare de Déu de Bellvitge, 271-273
E-08907 L'Hospitalet de Llobregat
Barcelona - Spain

Tel. +34 93 264 96 23

Fax +34 93 263 40 10

www.llambrich.com

info@llambrich.com